



THE DRJ-10 RAIL JACK IS IDEALLY SUITED TO ALIGNING, GAUGING AND LIFTING OF RAIL OR SLEEPERS.

Utilising a forged aluminium upright base, this 10 ton* capacity jack has been designed to be robust, lightweight and reduce the risk of operator injury. It has a spring return mechanism that will allow a jack with no load to be returned to the retracted position. The jack is fitted with an internal safety pressure relief valve to protect against overloading. The bladder system inside the aluminium protected reservoir allows the jack to be used in both the horizontal and vertical positions making it exceptionally versatile.

JACKS



CAPACITY
10 ton*/83.3 kN
STROKE
225 mm

REMOVABLE EXTENSION HANDLE

80 cm

HANDLE EFFORT

maximum 36 kg with extension handle

RELEASE VALVE

allows for controlled lowering and is recessed for protection against accidental knocks

INTERNAL OIL RESERVOIR BLADDER

allows operation in horizontal or vertical position

OIL RESERVOIR COVER

manufactured from aluminium (6061)

LARGE ALUMINIUM BASE

one piece forged aluminium (7075T) provides great support in soft ballast

CARRYING HANDLE

fixed in-line padded handle

CHROME PLATED

steel piston rod resists corrosion and extends life

INTERNAL SPRING RETURN

allows an unloaded jack to return to the retracted position

INDEXED TOE

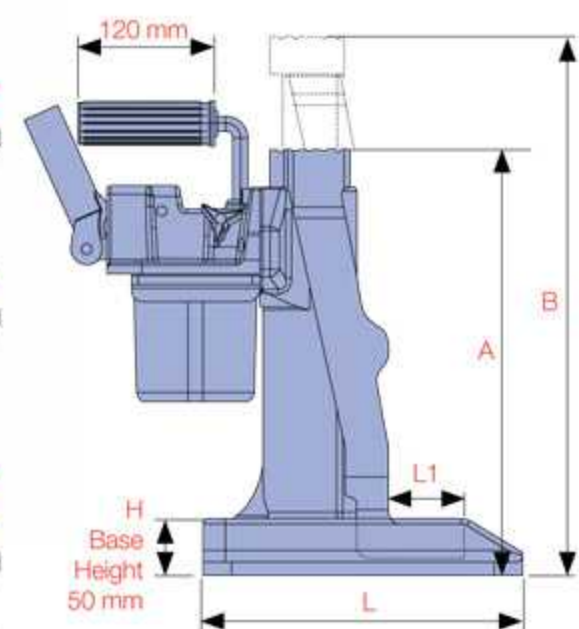
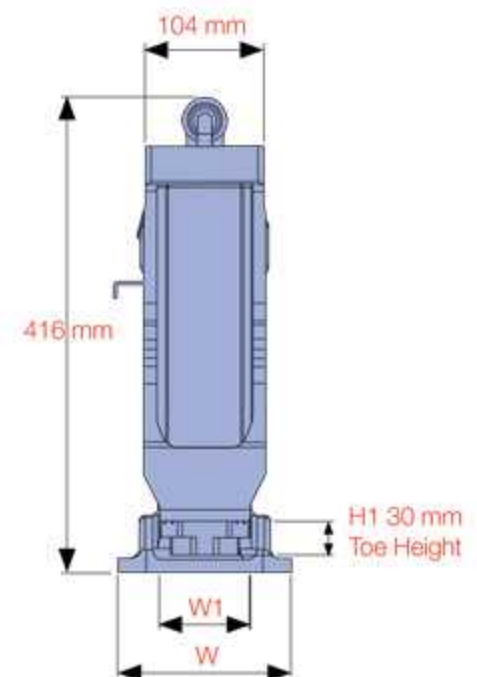
minimises swivel and allows for a safe, stable platform

LOAD CAPACITY

10 ton* of lifting force

MINIMUM BASE HEIGHT

50 mm for easy positioning under the base of the rail



Model No.	Jack Capacity ton* / kN	A Collapsed Height (mm)	Stroke (mm)	B Extended Height (mm)	Travel/Pump Stroke (mm)	Max. Handle Effort (kg)	L x W x H Base Dimensions (mm)	L1 x W1 x H1 Toe Dimensions (mm)	Weight without Handle (kg)
DRJ-10	10 83.3	373	225	598	4.5	36	280 x 152 x 50	66 x 79 x 30	20.2

* Nominal Jack Capacity in ton - see kN values for actual capacity